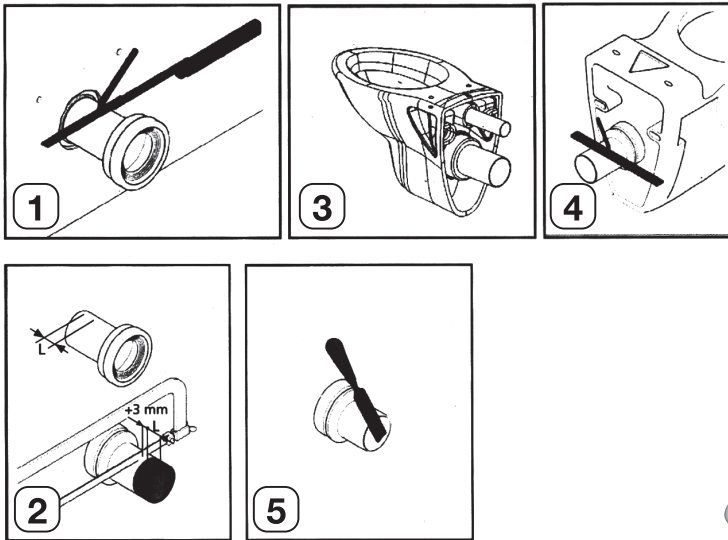
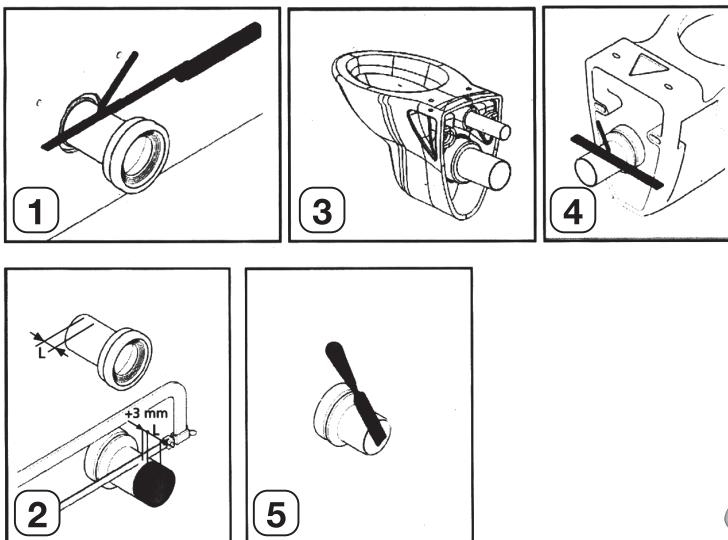


DRAIN MOUNTING SET AND APPLICATION



Picture (1 and 2) Install clean water and sewage extension pipes in the wall and let it fully seated. Pull a line on the pipe putting a scale to surface of the wall.
Picture (3 and 4) Fixing pipes to the closet, pull a line on the pipe putting a scale on back corner of the closet. The distance between two lines is "L"
Picture (2 and 5) precise the pipes in "L+3 mm" size from the tip and clean.

DRAIN MOUNTING SET AND APPLICATION



Picture (1 and 2) Install clean water and sewage extension pipes in the wall and let it fully seated. Pull a line on the pipe putting a scale to surface of the wall.
Picture (3 and 4) Fixing pipes to the closet, pull a line on the pipe putting a scale on back corner of the closet. The distance between two lines is "L"
Picture (2 and 5) precise the pipes in "L+3 mm" size from the tip and clean.