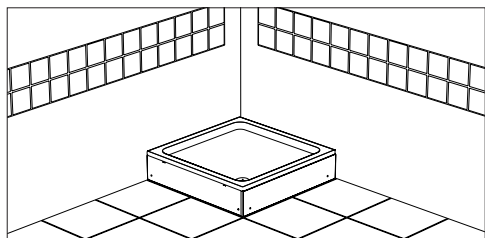
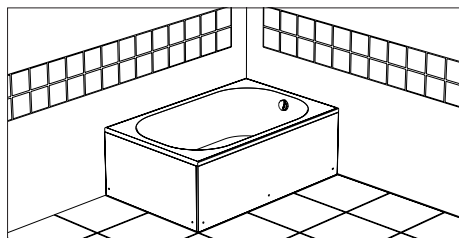


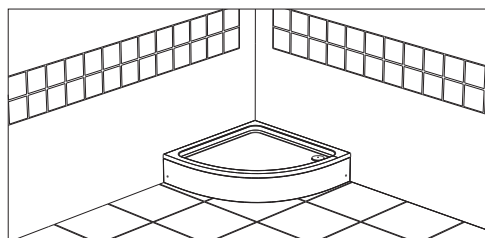
# BATHTUBS AND SHOWER TRAYS INSTALLATION GUIDE AND DIRECTIONS



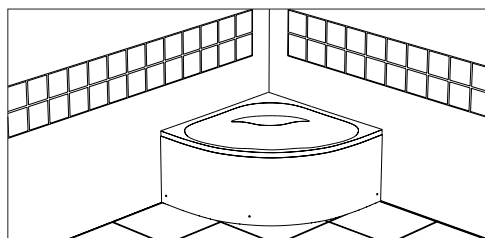
SQUARE SHOWER TRAY



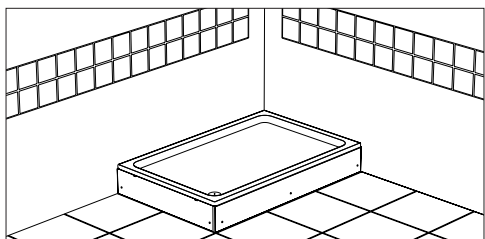
RECTANGLE BATHTUB



OVAL SHOWER TRAY



OVAL BATHTUB



RECTANGLE SHOWER TRAY

# INDEX

---

## SHOWER TRAYS INSTALLATION GUIDES

Square Shower Tray Installation Guide	4
Oval Shower Tray Installation Guide	9
Rectangle Shower Tray Installation Guide	14
Monoflat Shower Tray Installation Guide	19
Flat Shower Tray Installation Guide	21

---

## BATHTUBS INSTALLATION GUIDES

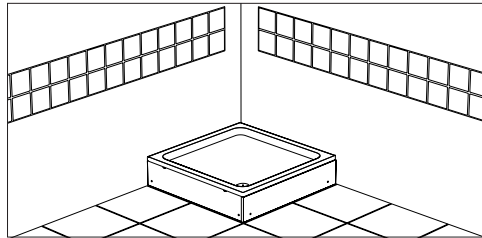
Rectangle Bathtub Installation Guide	24
Oval Bathtub Installation Guide	29

---

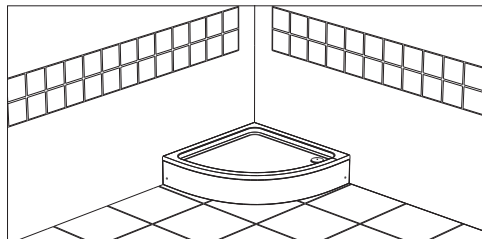
## USER MANUAL AND MAINTENANCE INSTRUCTIONS

**34**

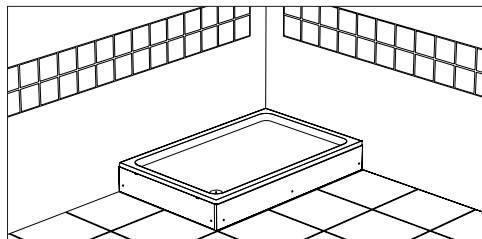
# SHOWER TRAY INSTALLATION GUIDE



SQUARE SHOWER TRAY

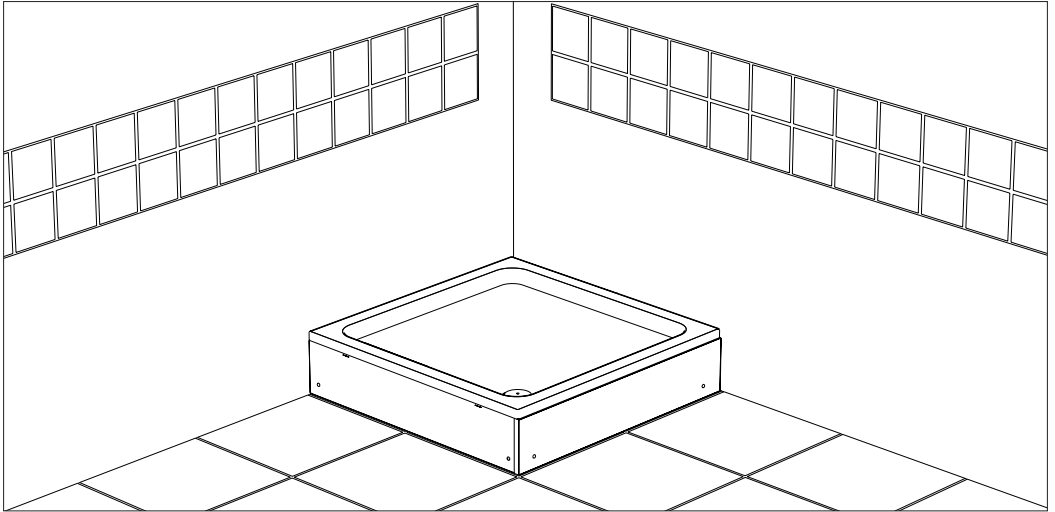


OVAL SHOWER TRAY

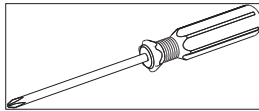
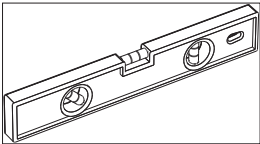
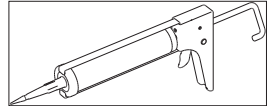
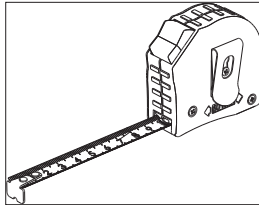
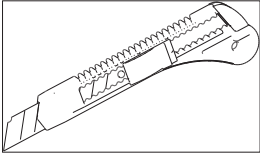
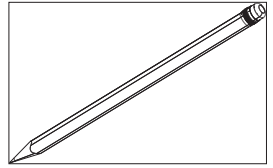
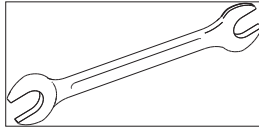
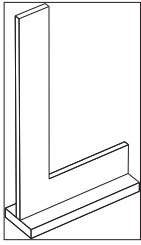


RECTANGLE SHOWER TRAY

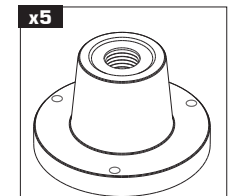
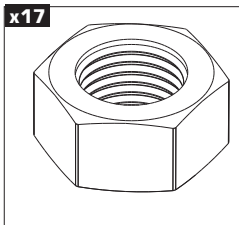
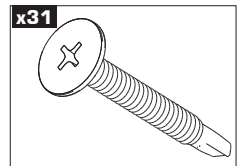
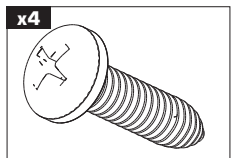
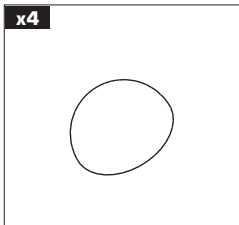
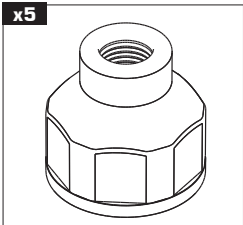
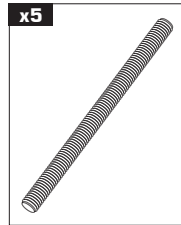
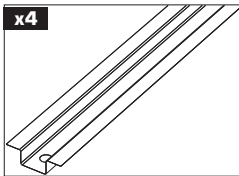
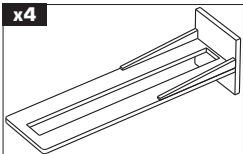
# SQUARE SHOWER TRAY INSTALLATION GUIDE

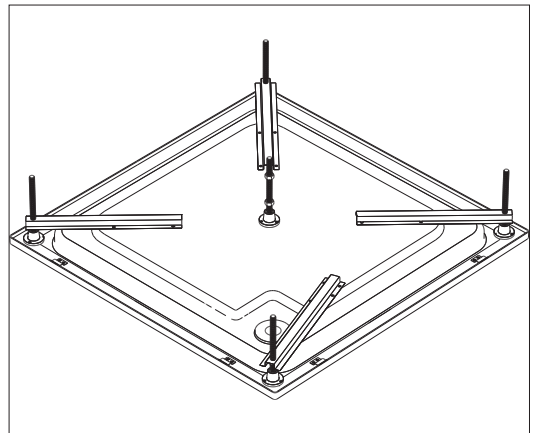
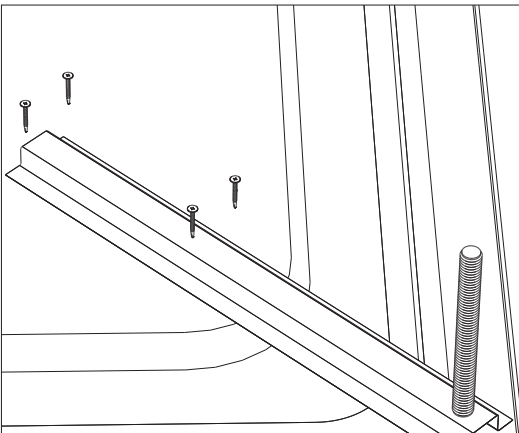
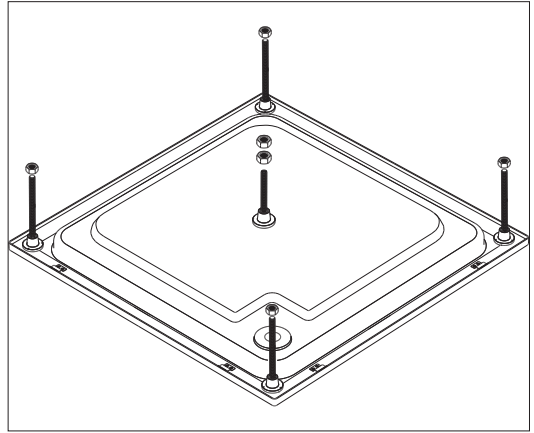
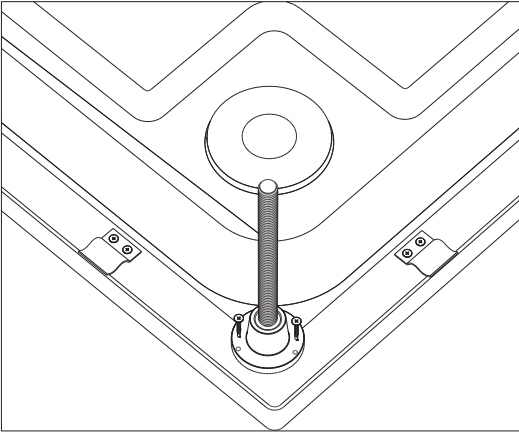
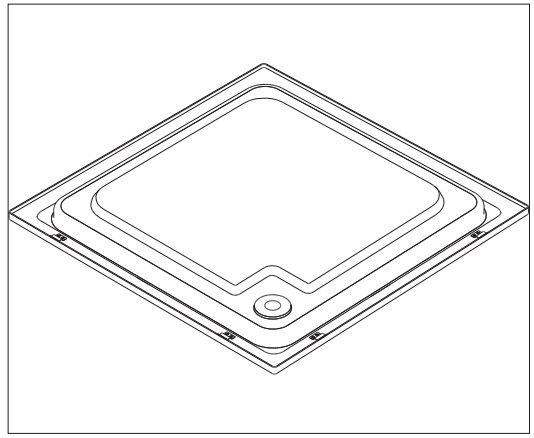
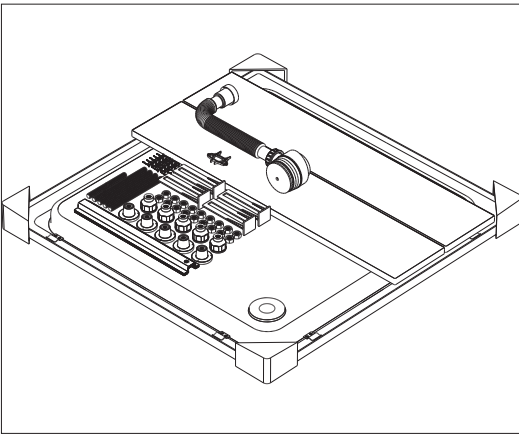


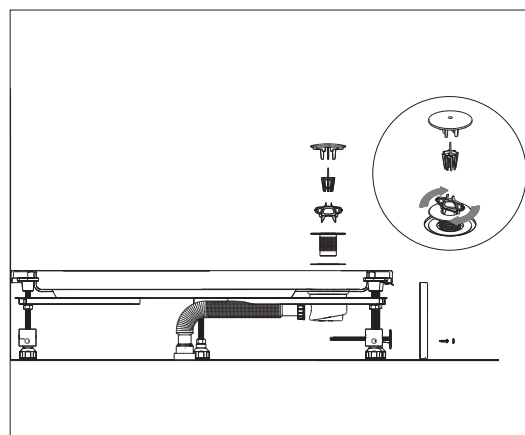
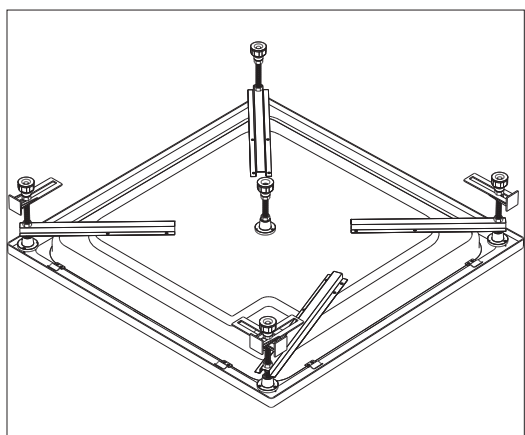
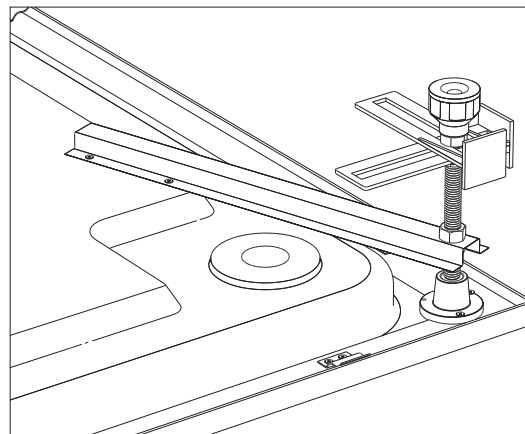
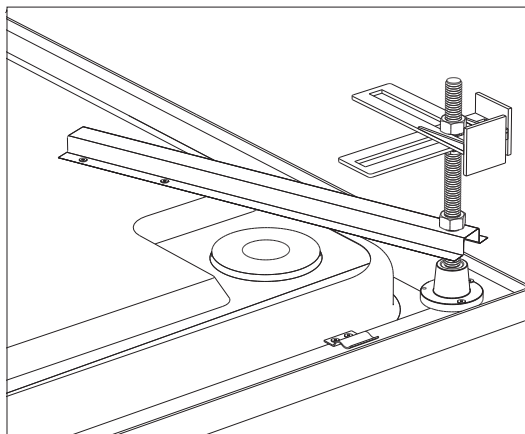
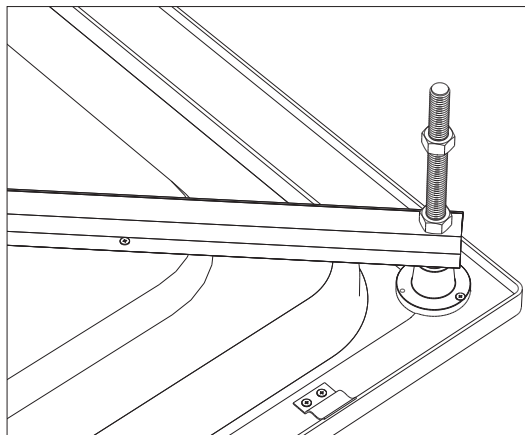
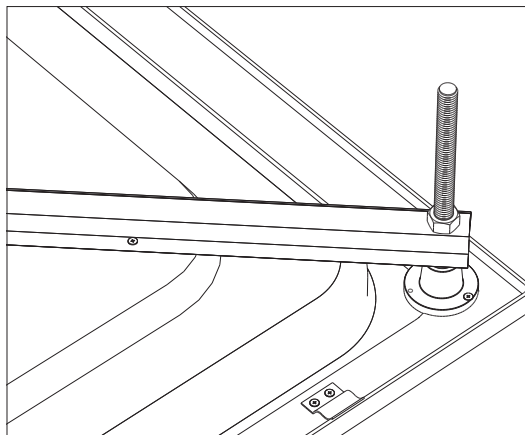
# TOOLS FOR INSTALLATION

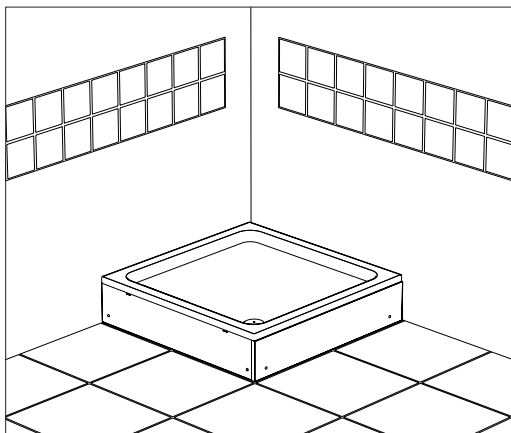
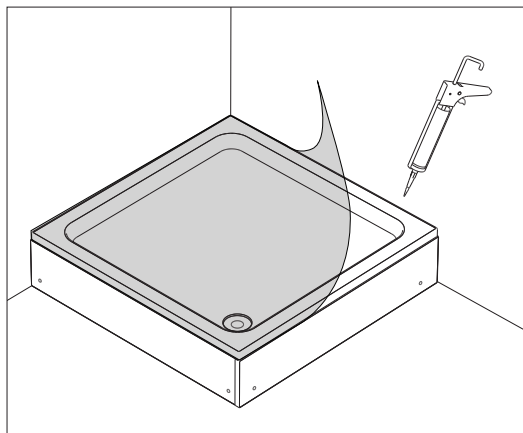
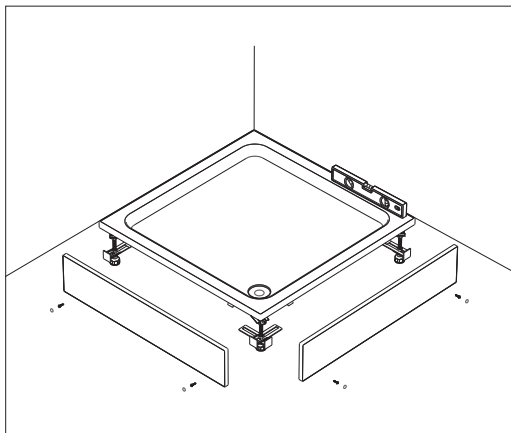
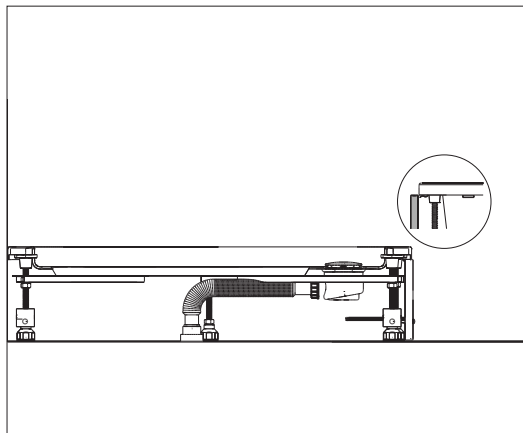


# REQUIRED MATERIALS FOR INSTALLATION



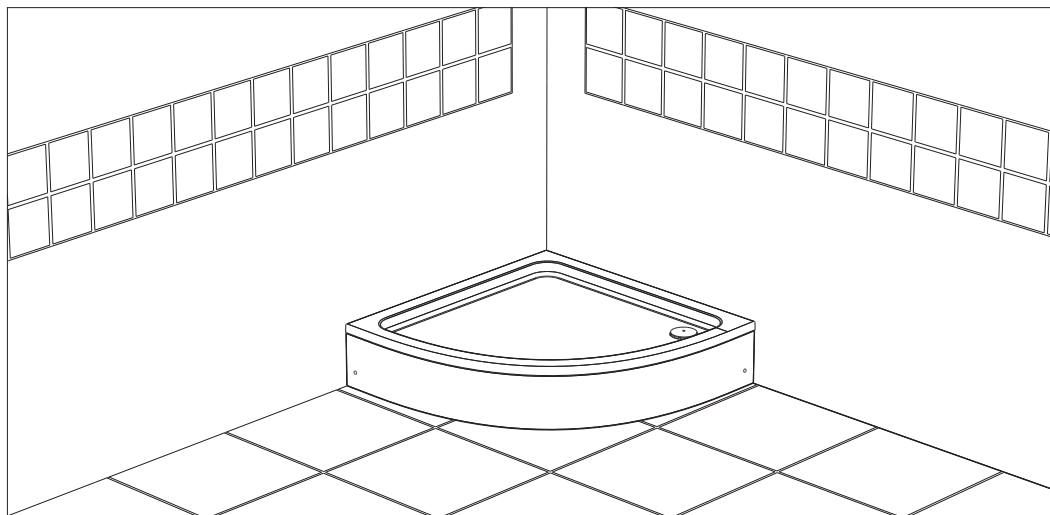




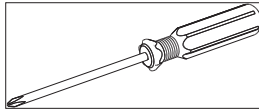
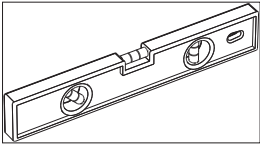
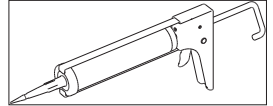
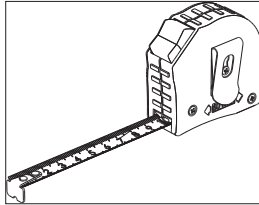
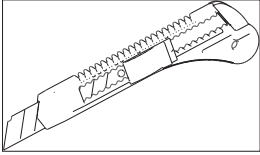
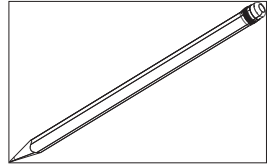
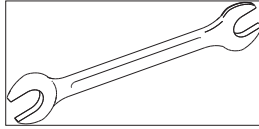
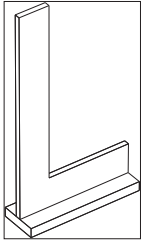




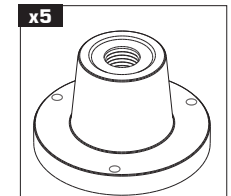
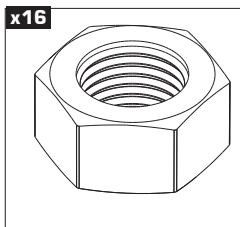
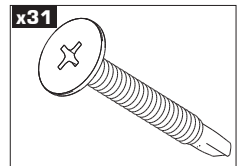
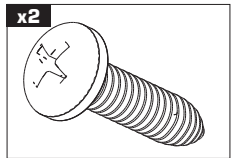
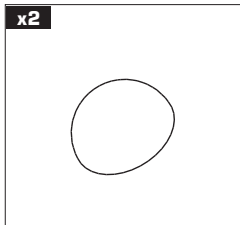
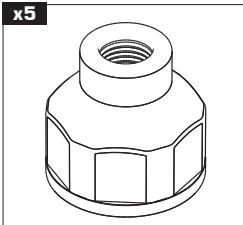
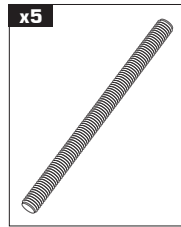
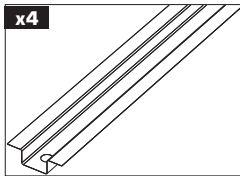
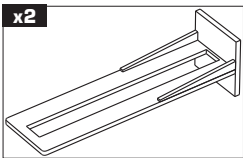
# **OVAL SHOWER TRAY INSTALLATION GUIDE**

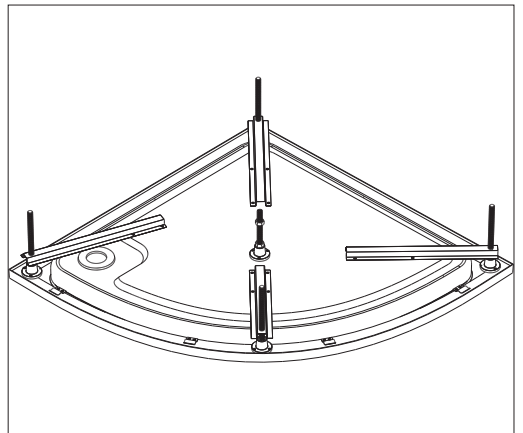
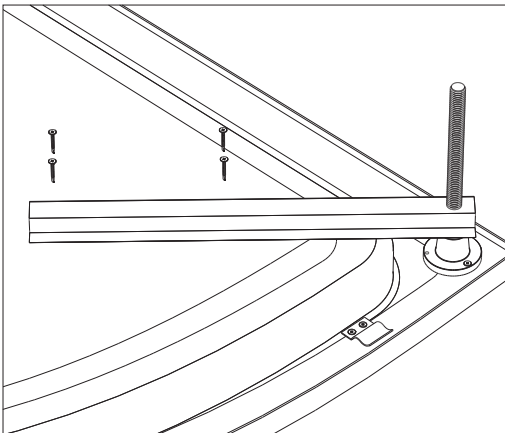
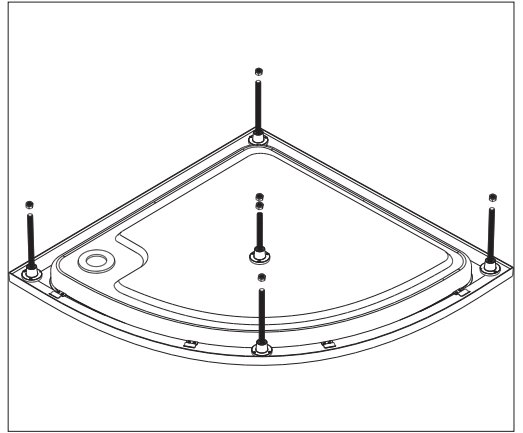
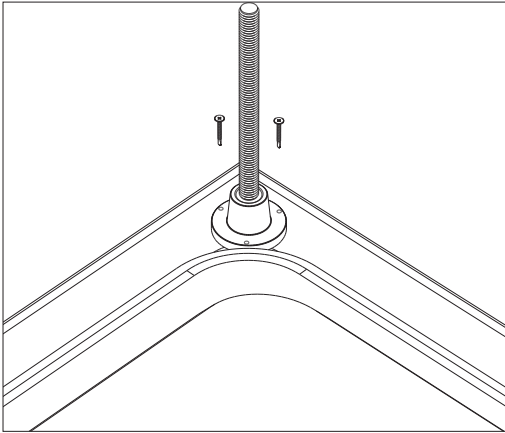
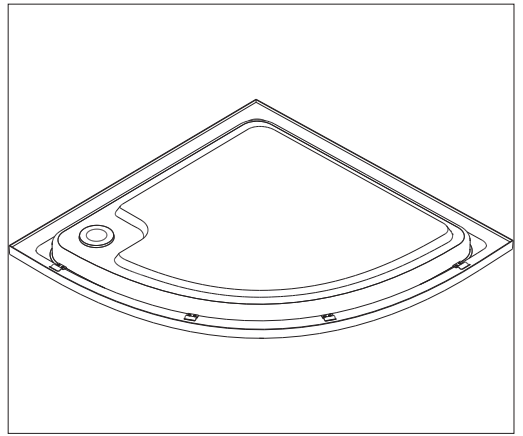
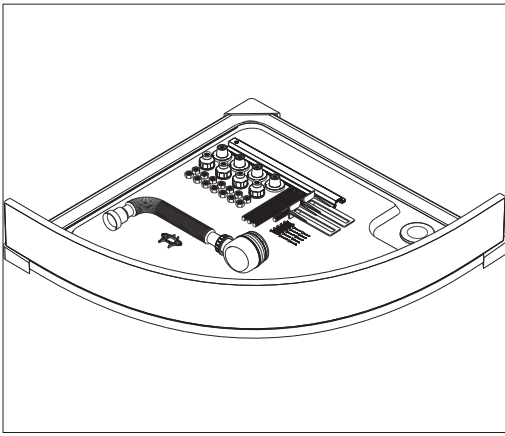


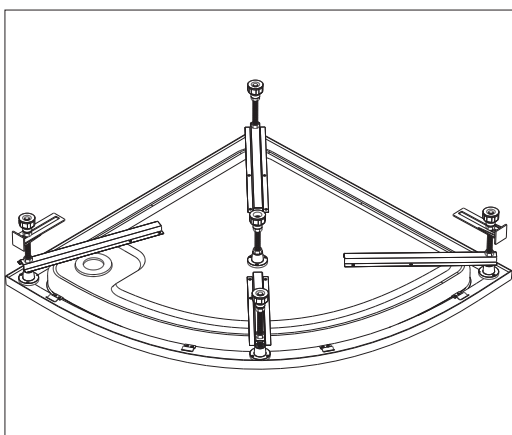
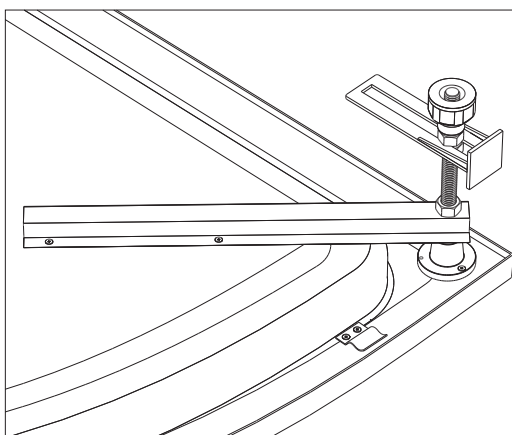
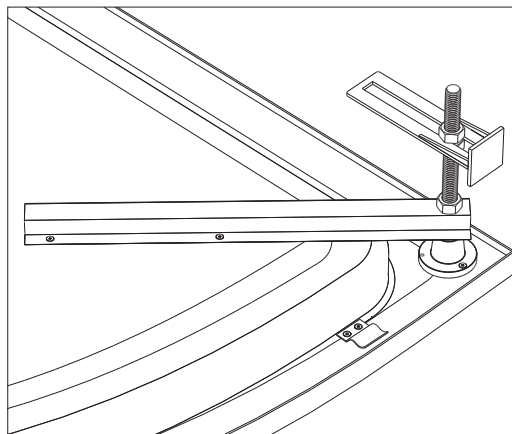
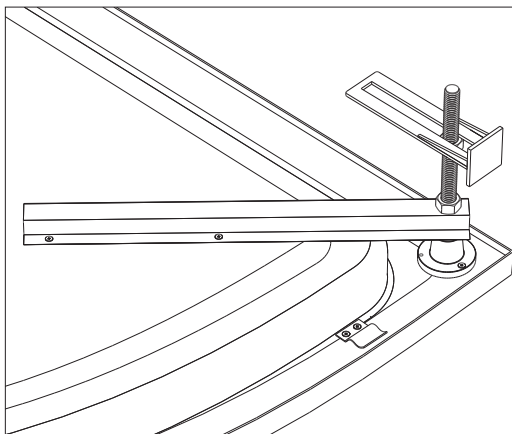
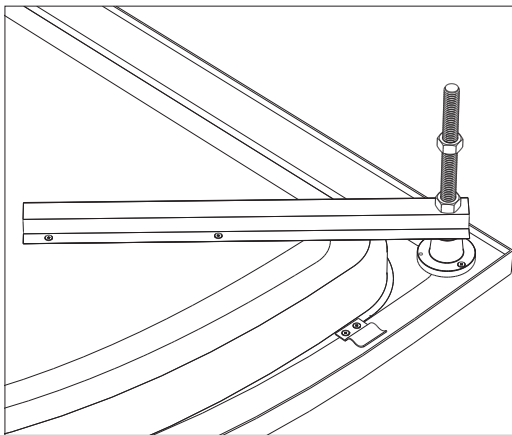
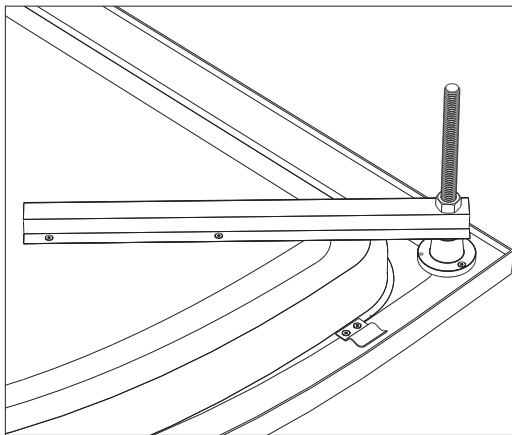
# TOOLS FOR INSTALLATION

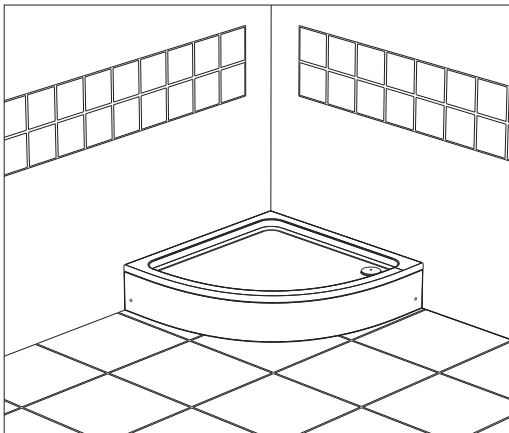
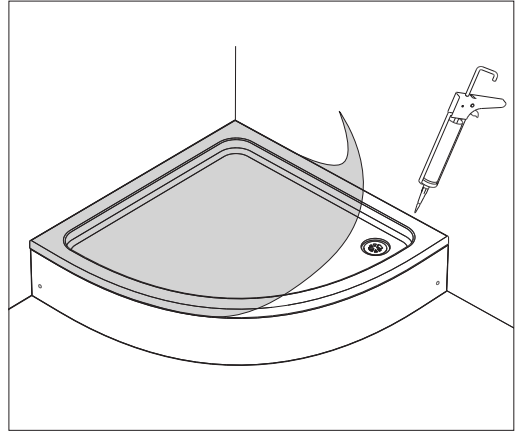
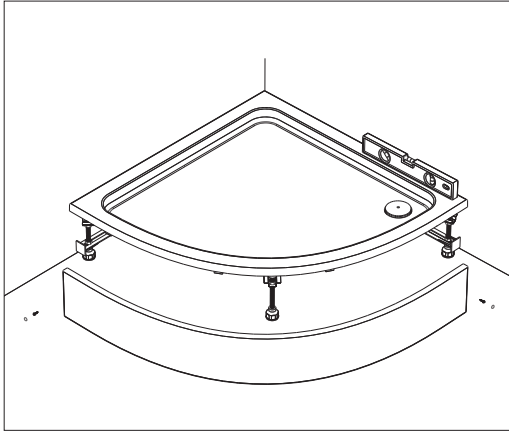
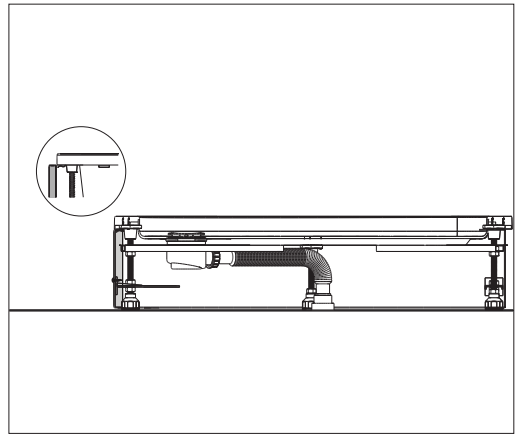
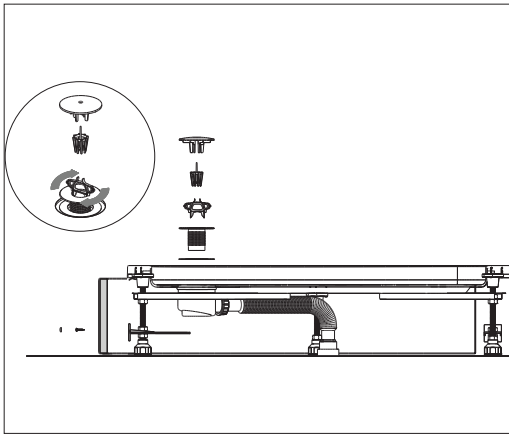


# REQUIRED MATERIALS FOR INSTALLATION

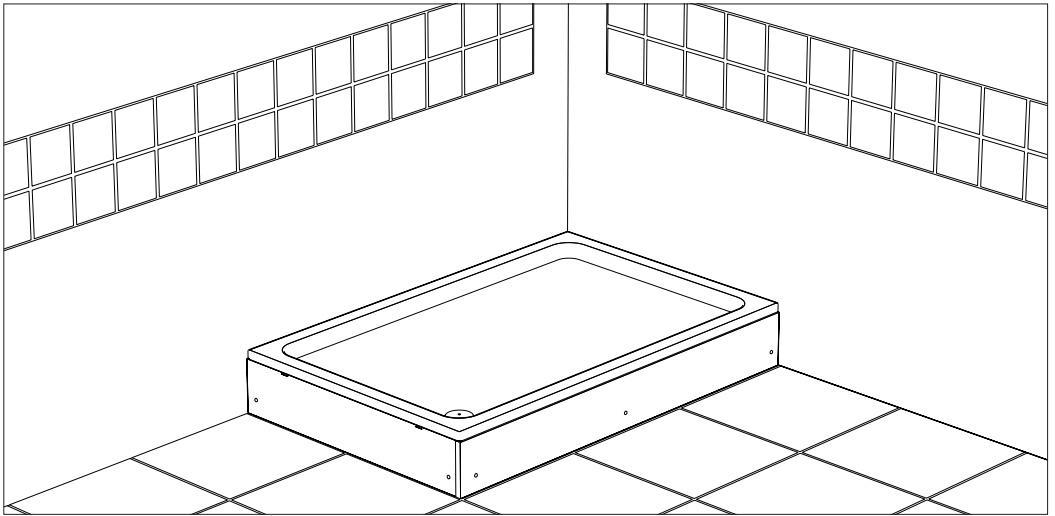




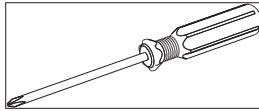
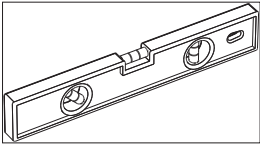
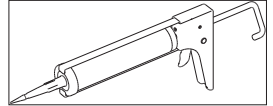
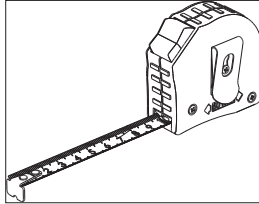
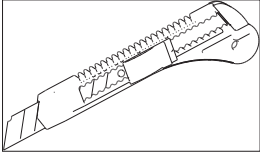
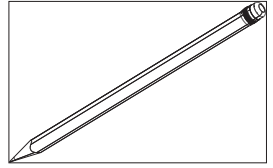
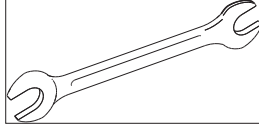
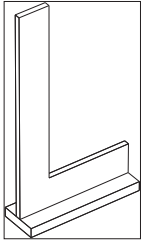




# RECTANGLE SHOWER TRAY INSTALLATION GUIDE

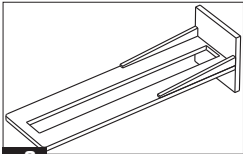


# TOOLS FOR INSTALLATION

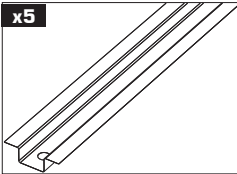


# REQUIRED MATERIALS FOR INSTALLATION

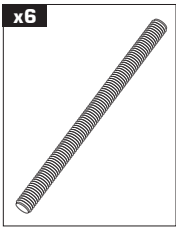
x5



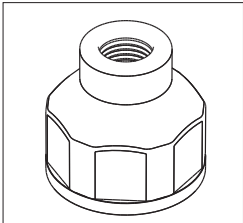
x5



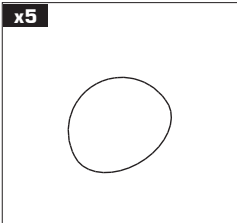
x6



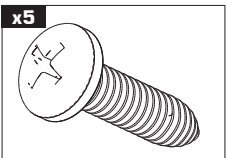
x6



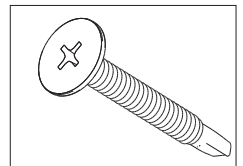
x5



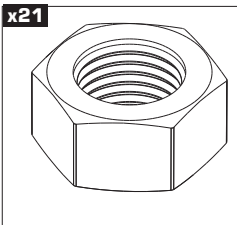
x5



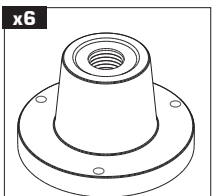
x38

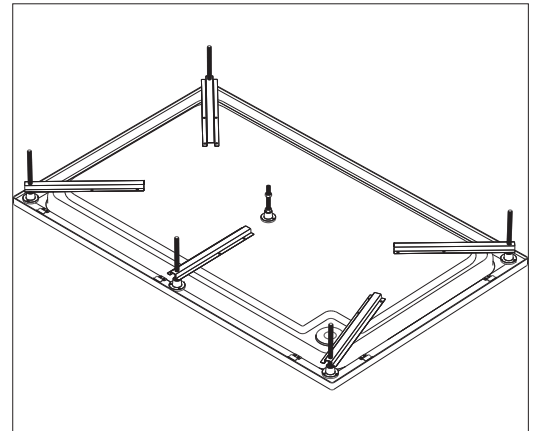
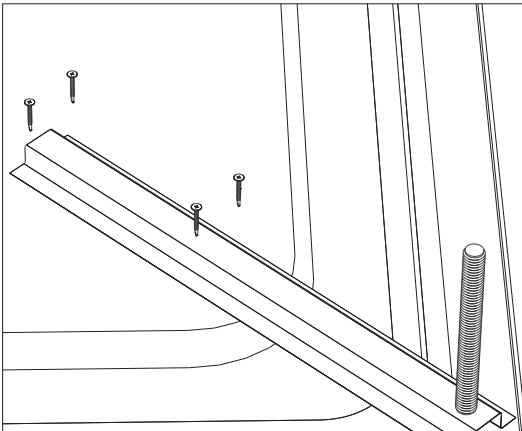
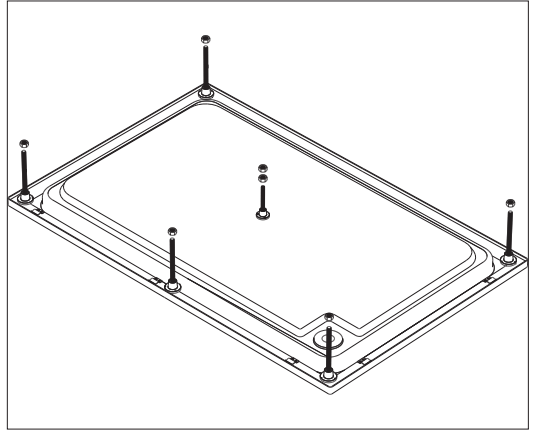
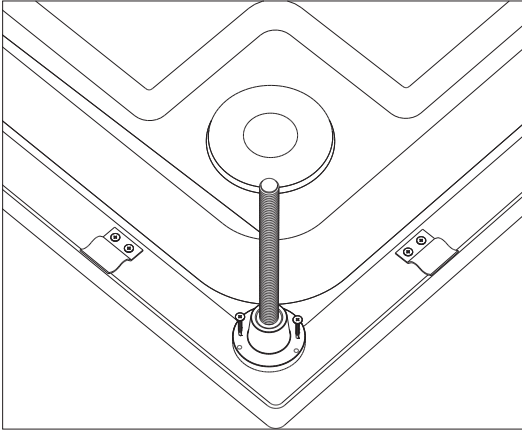
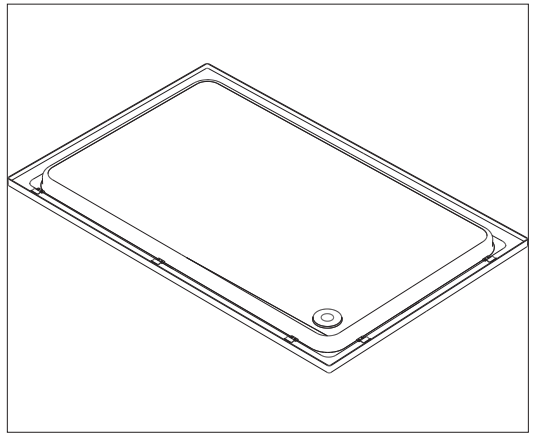
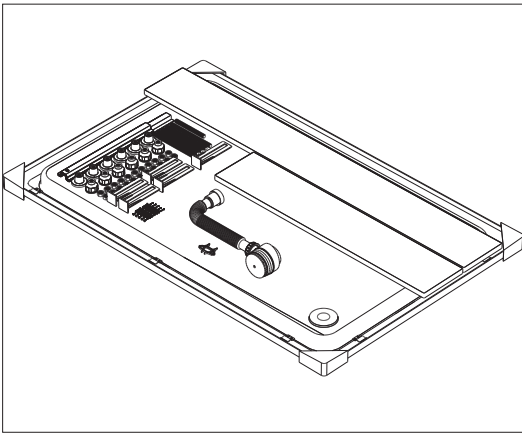


x21

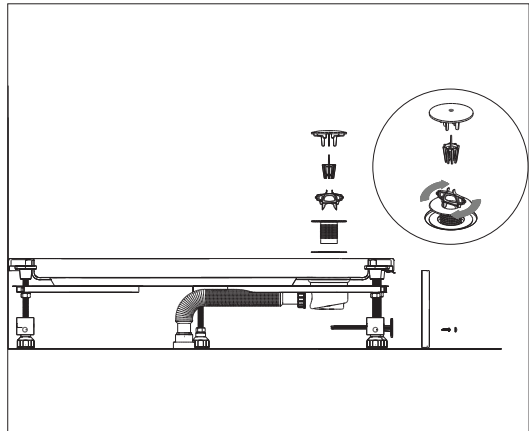
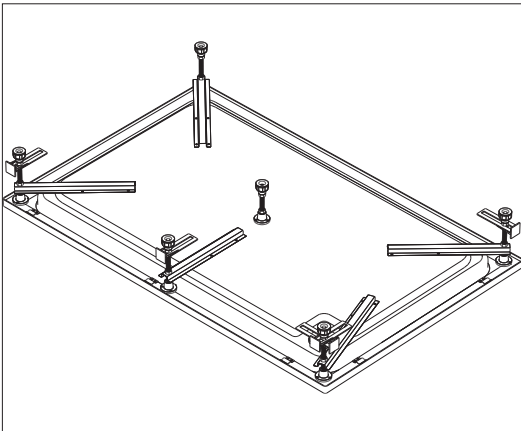
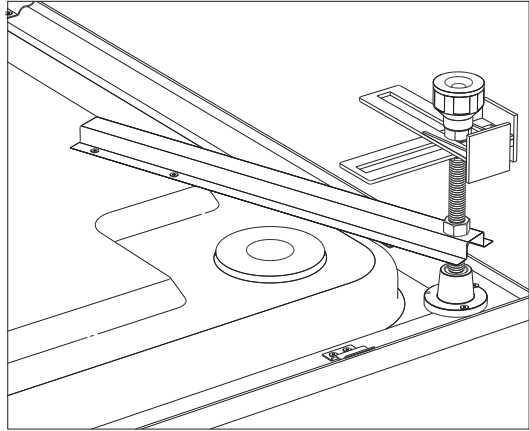
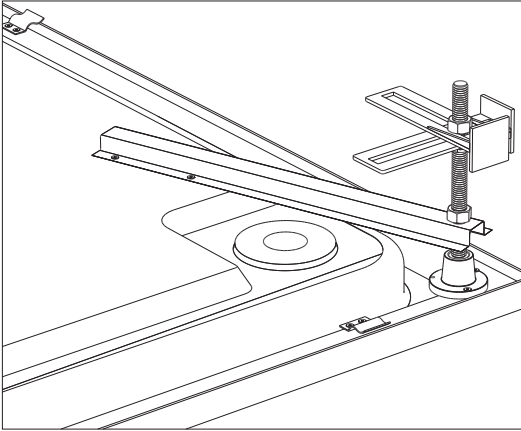
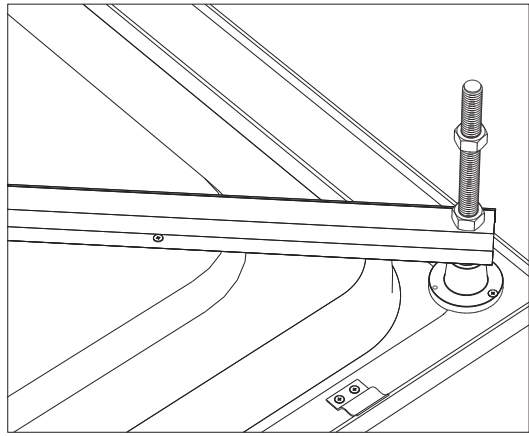
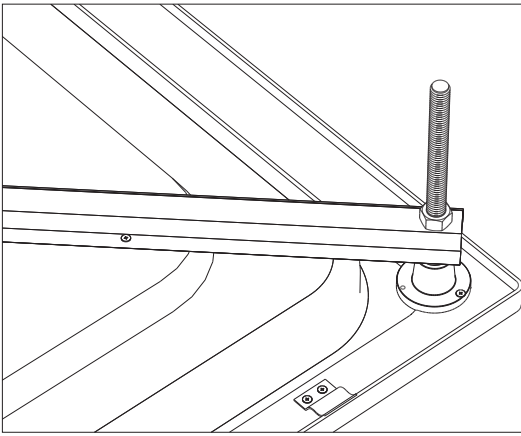


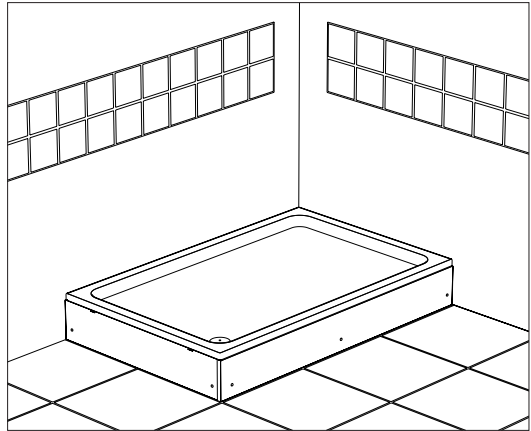
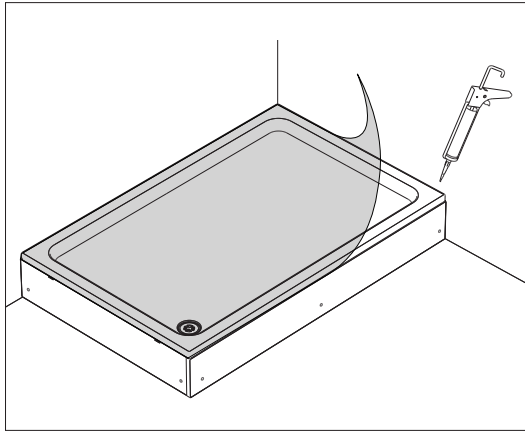
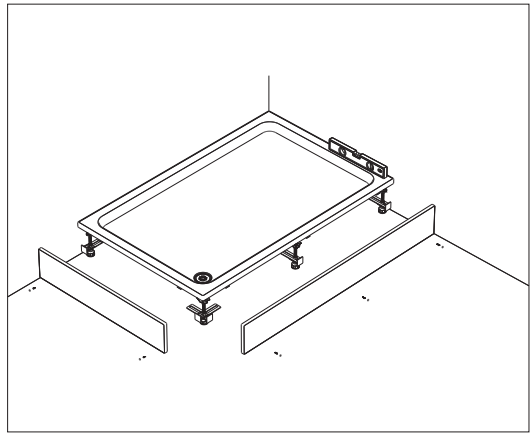
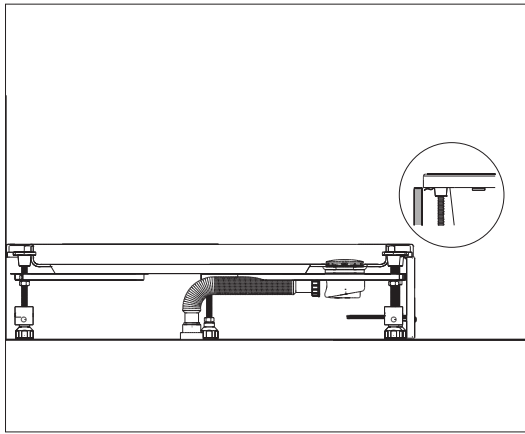
x6



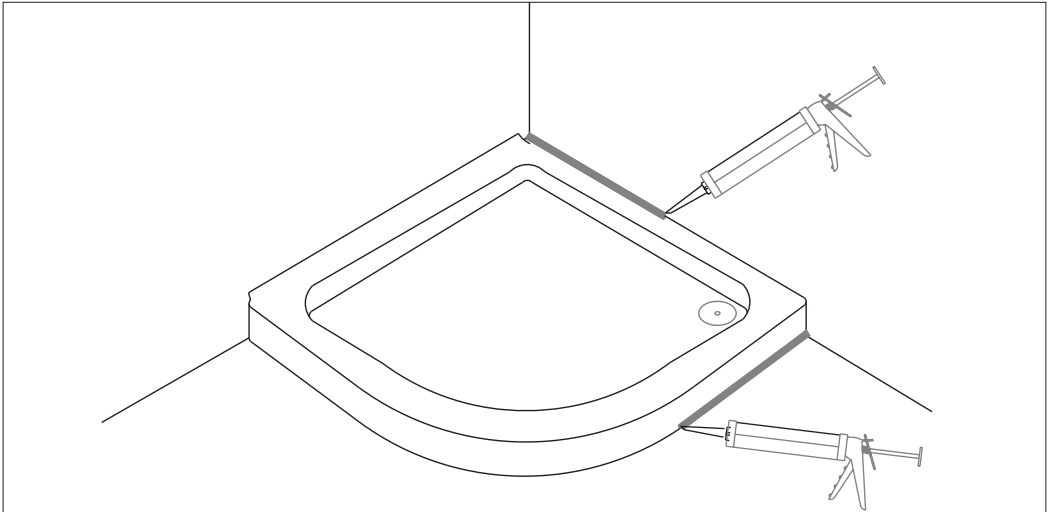


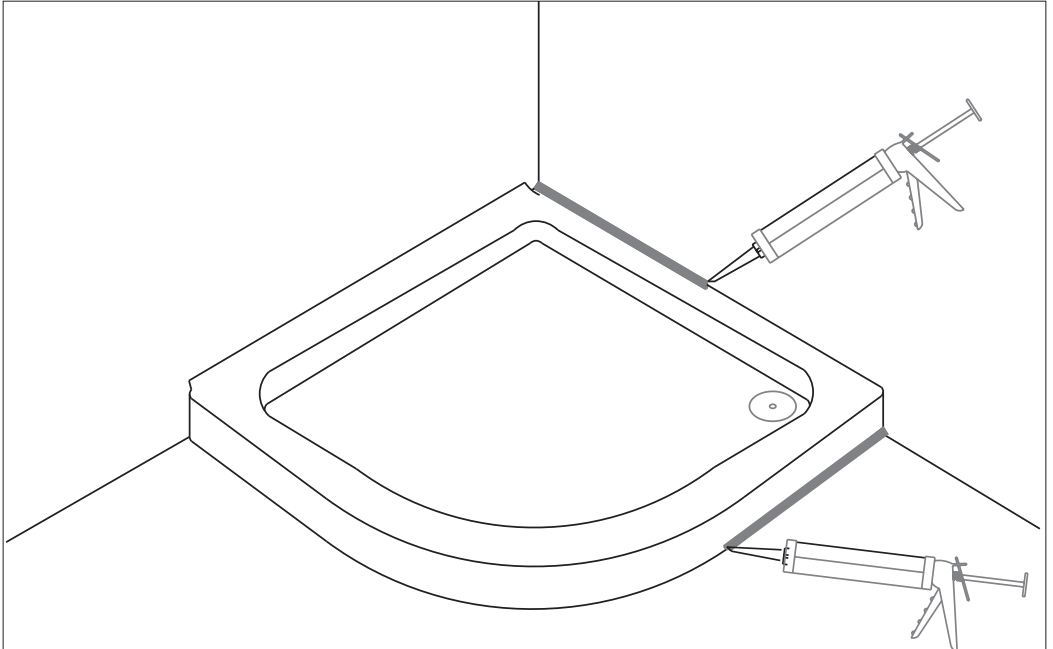
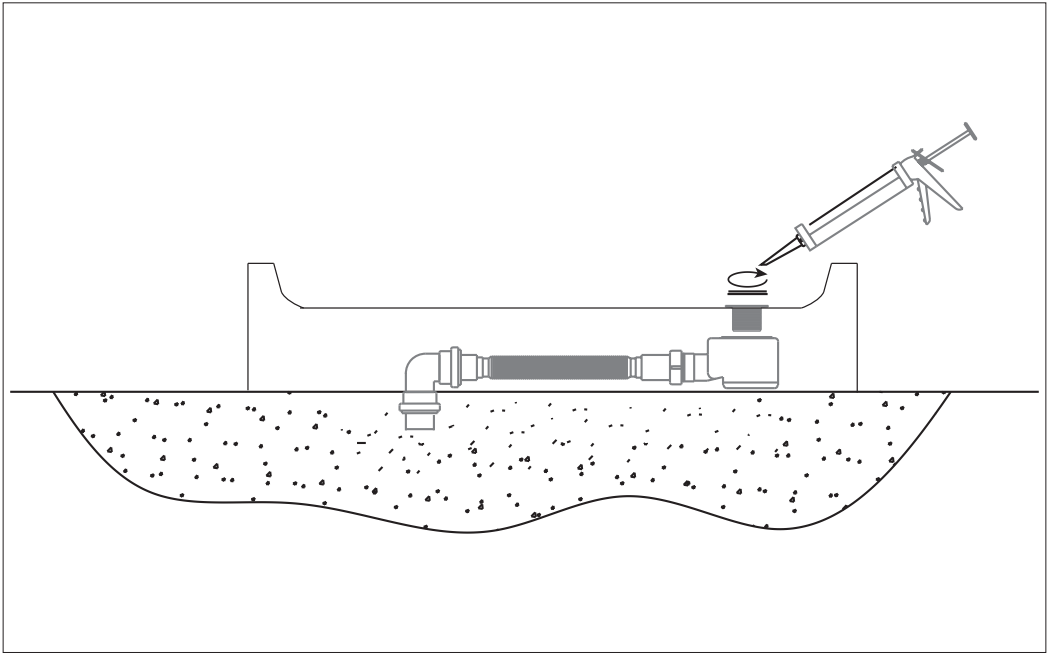




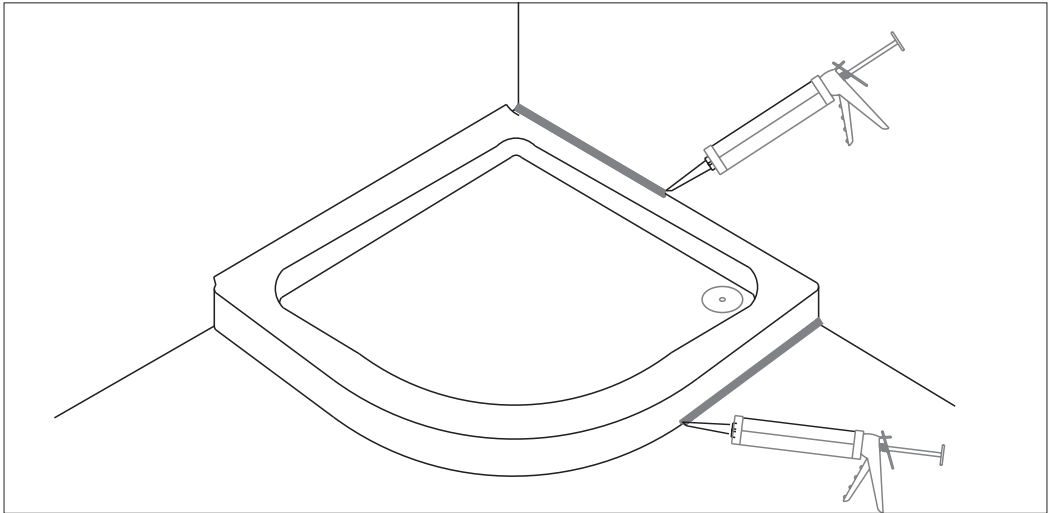


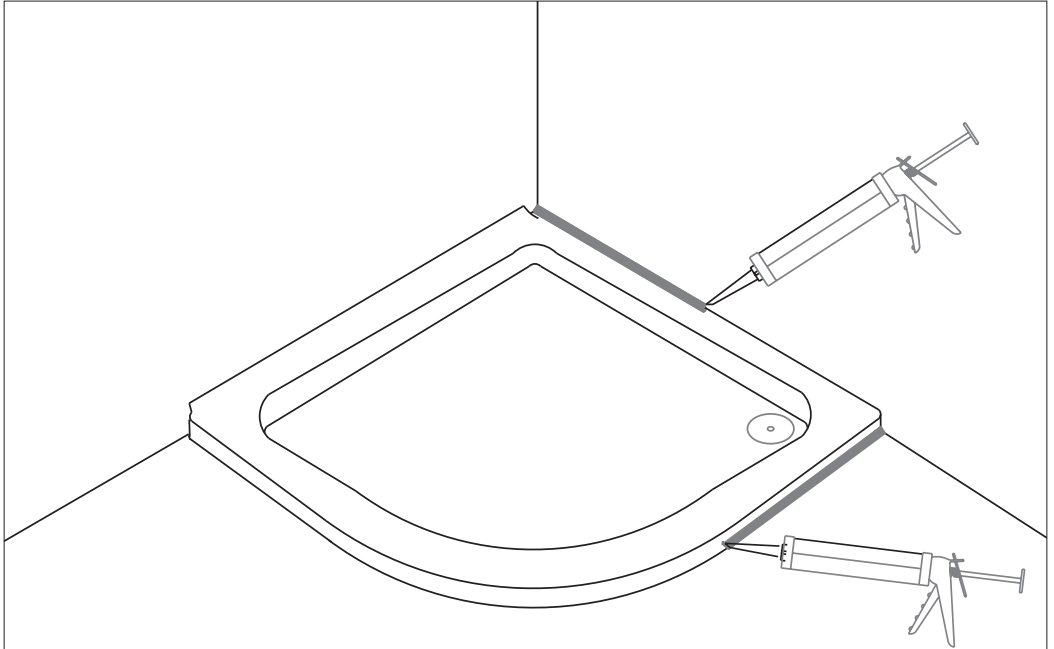
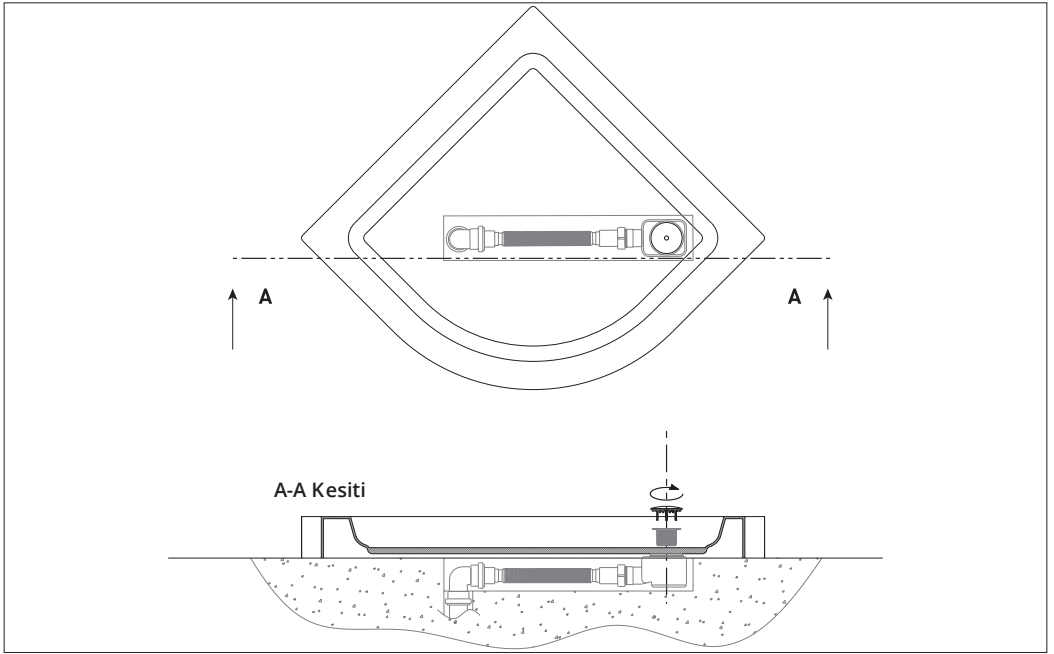
# MONOFLAT SHOWER TRAY INSTALLATION GUIDE



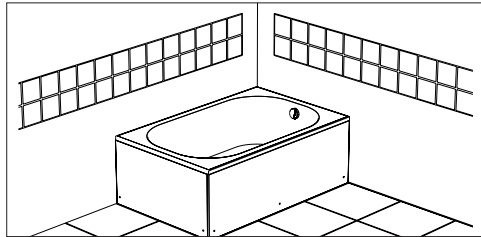


# FLAT SHOWER TRAY INSTALLATION GUIDE

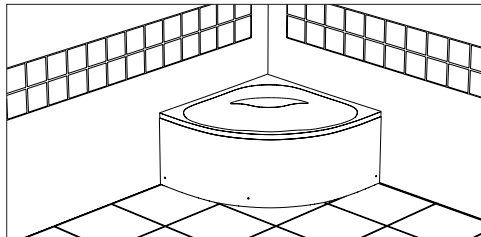




# BATHTUBS INSTALLATION GUIDE

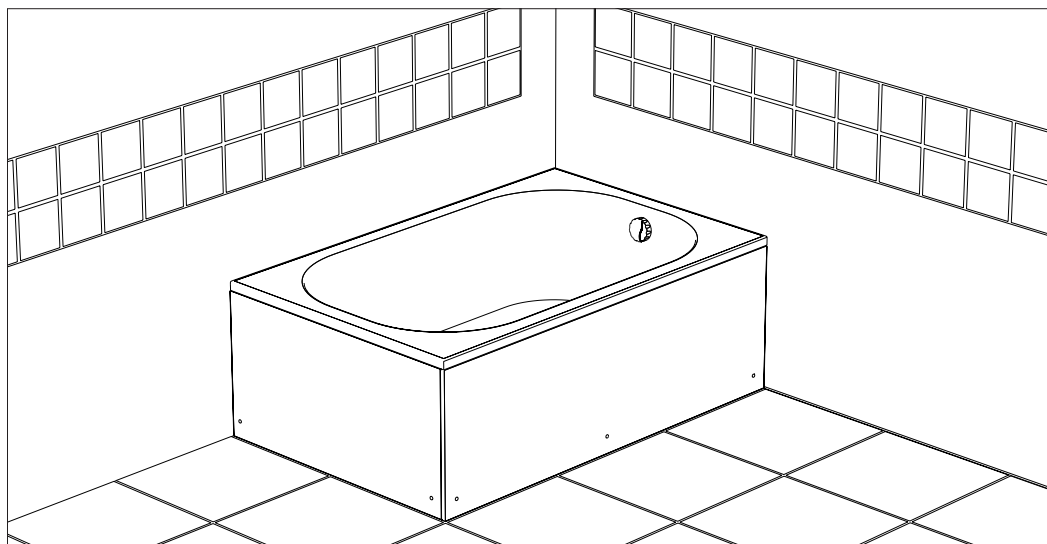


RECTANGLE BATHTUB



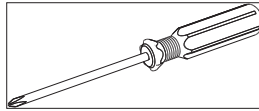
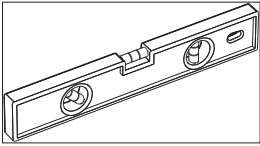
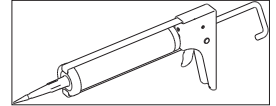
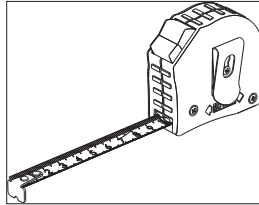
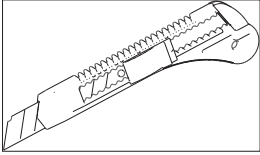
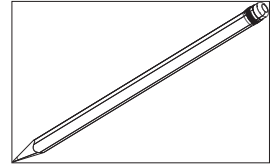
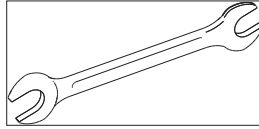
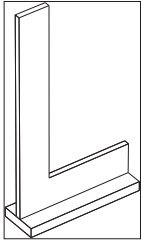
OVAL BATHTUB

# RECTANGLE BATHTUB INSTALLATION GUIDE

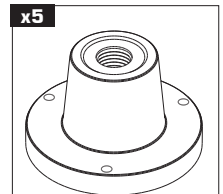
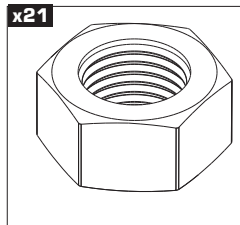
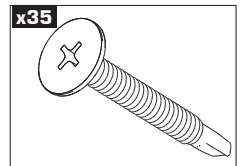
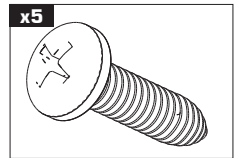
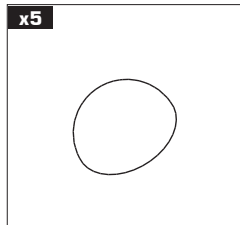
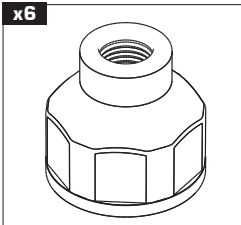
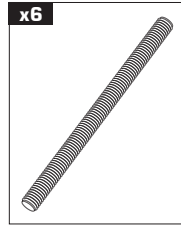
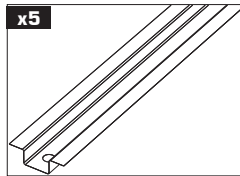
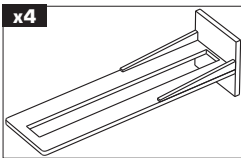


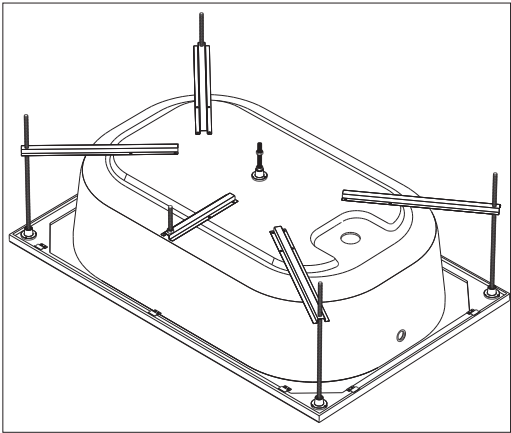
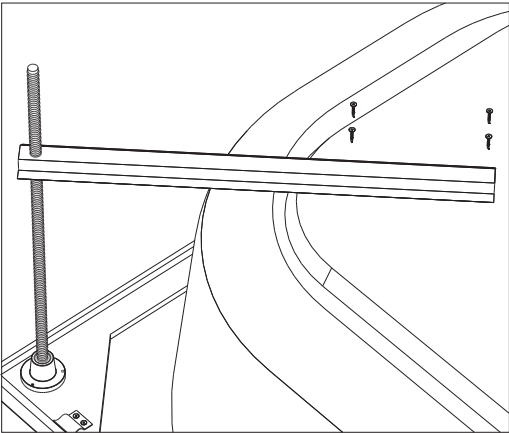
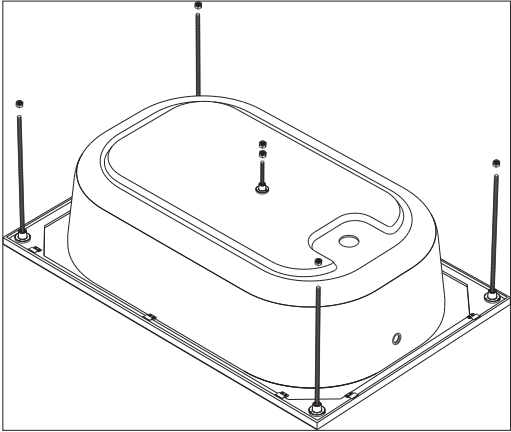
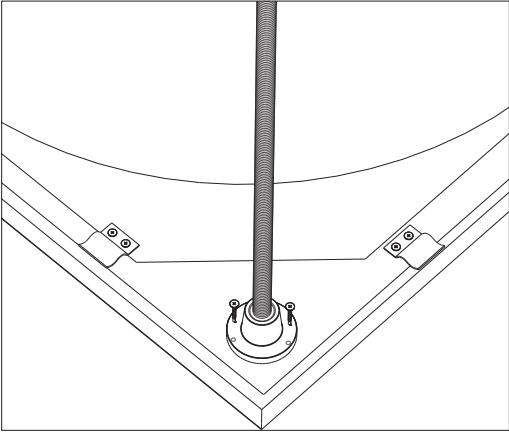
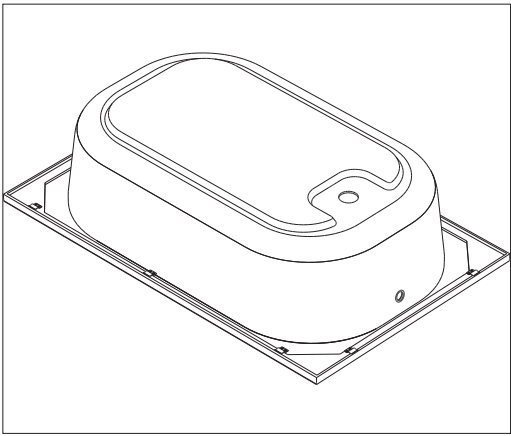
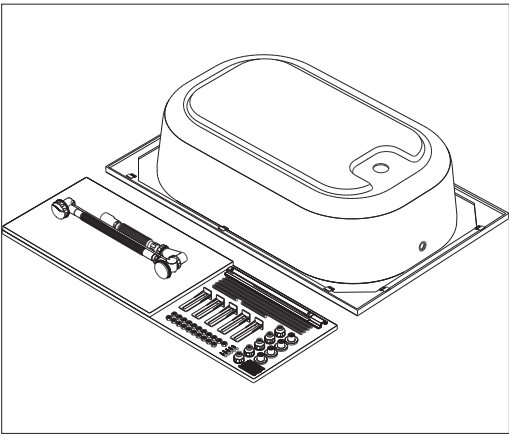


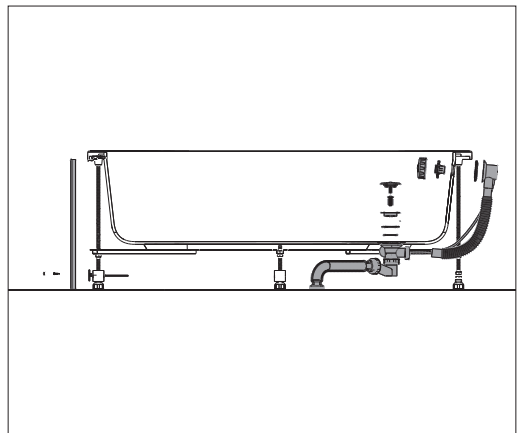
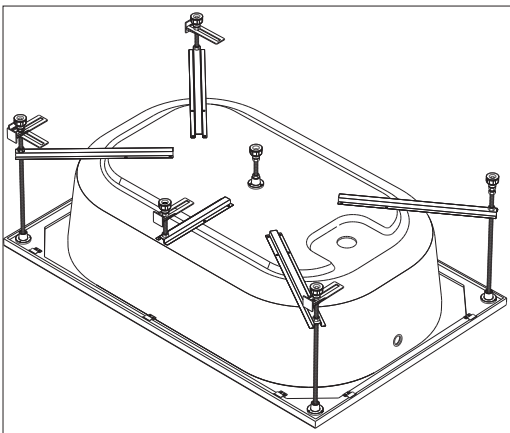
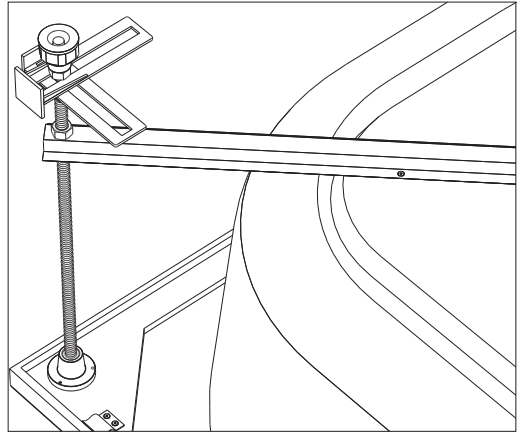
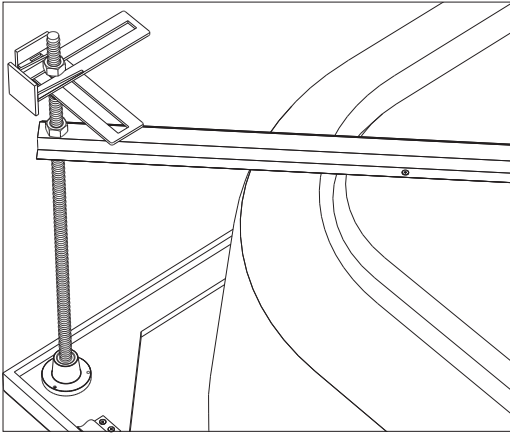
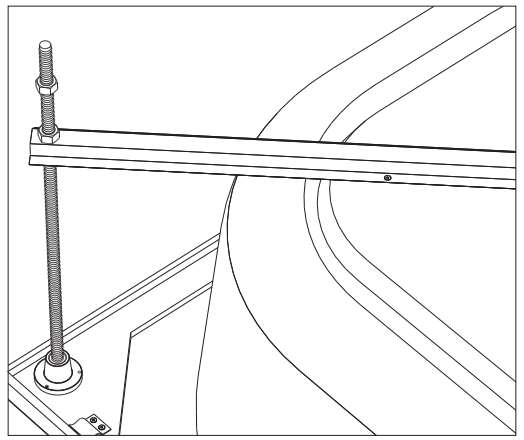
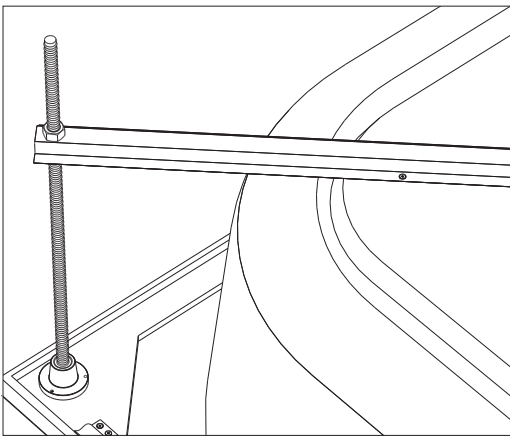
# TOOLS FOR INSTALLATION

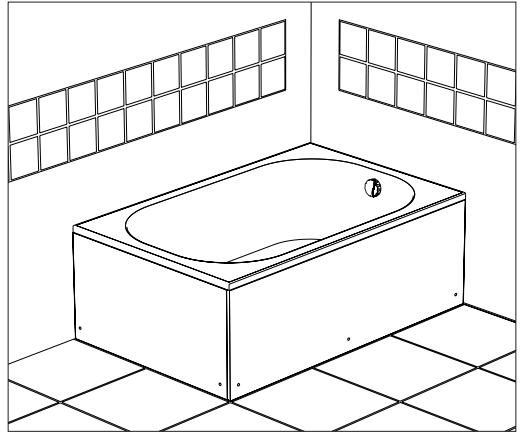
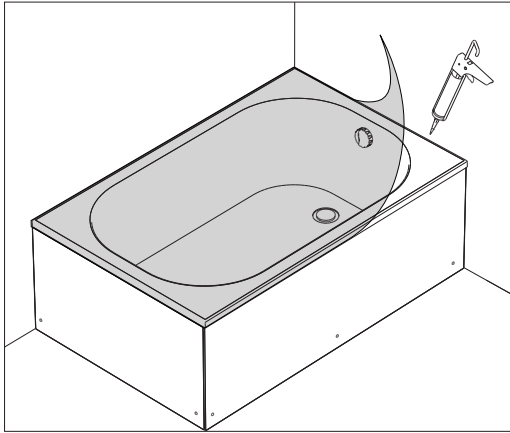
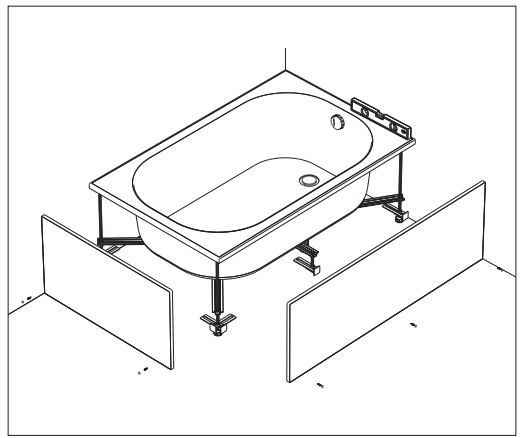
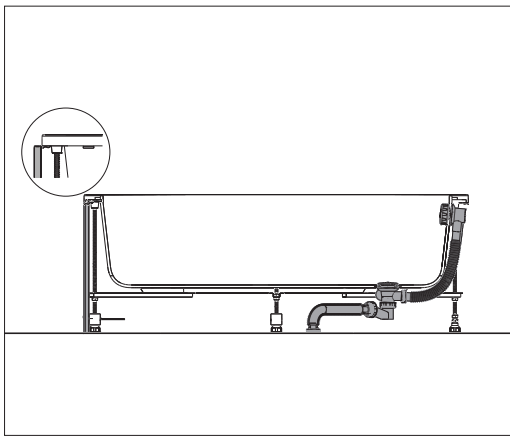


# REQUIRED MATERIALS FOR INSTALLATION

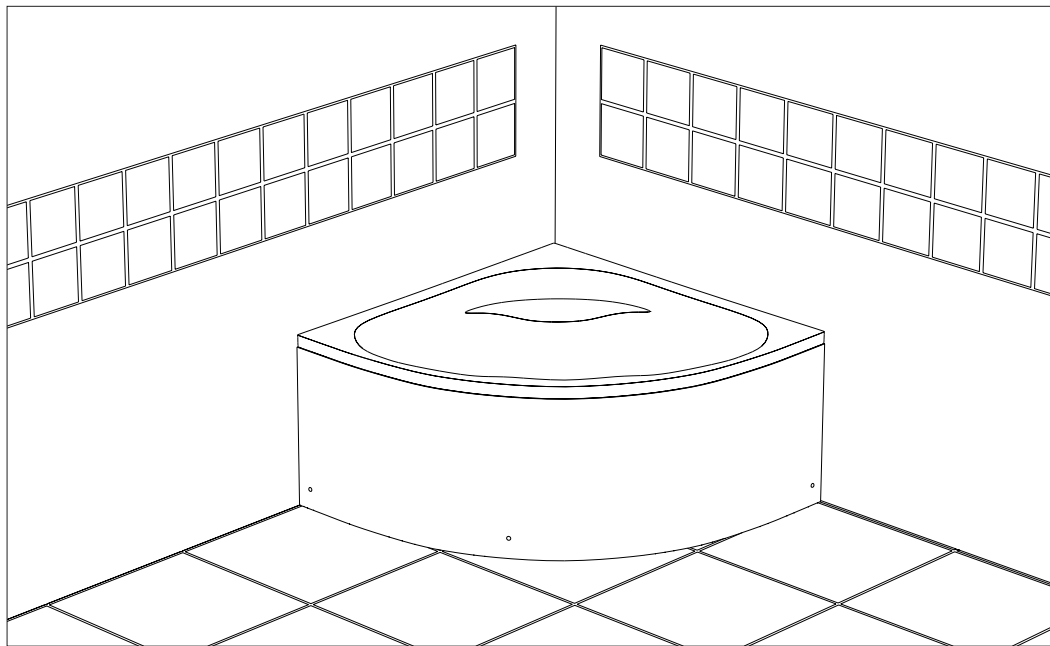




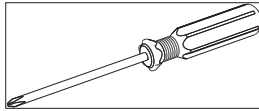
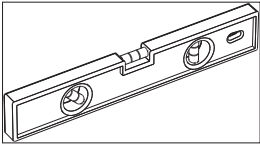
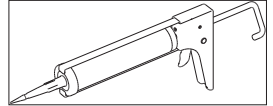
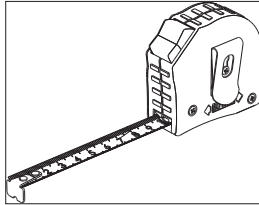
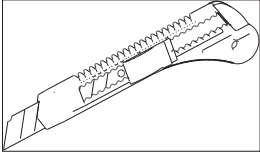
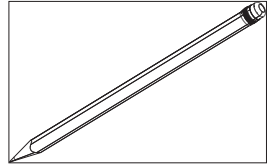
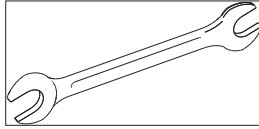
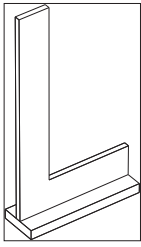




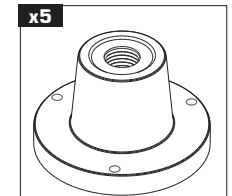
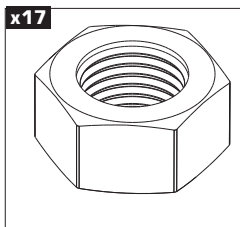
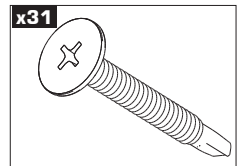
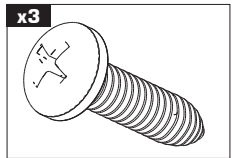
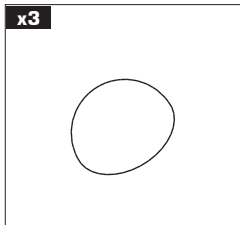
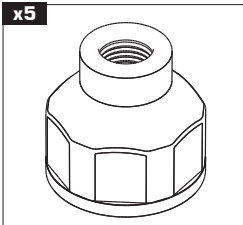
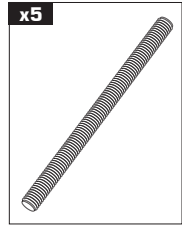
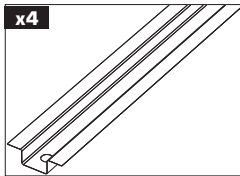
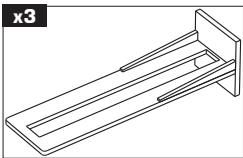
# OVAL BATHTUB INSTALLATION GUIDE

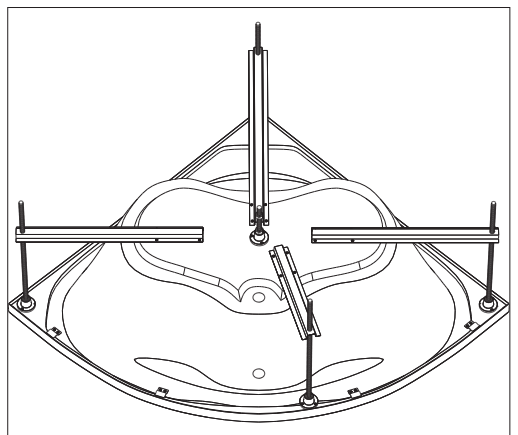
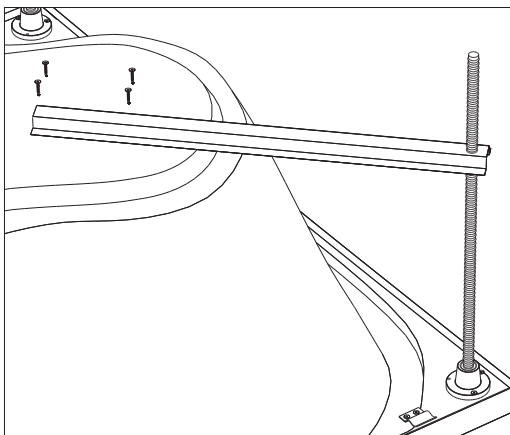
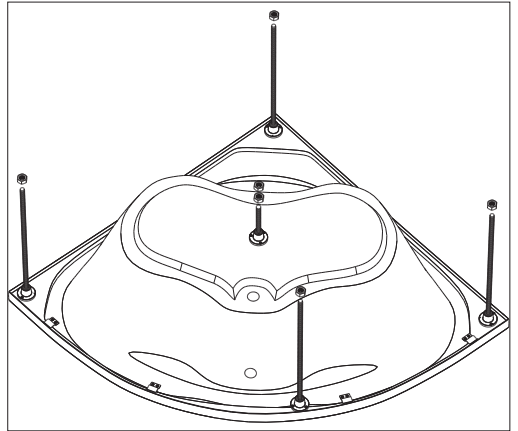
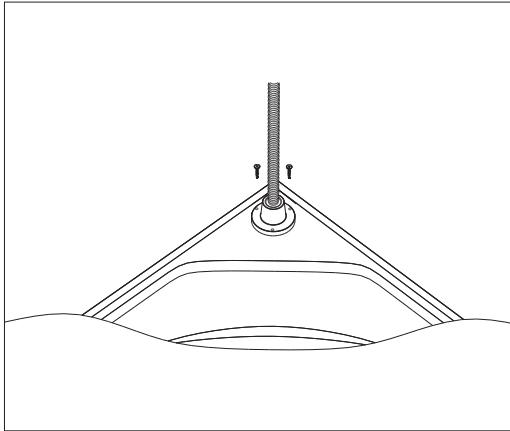
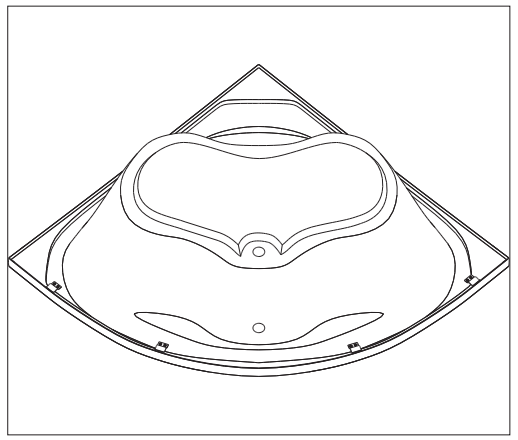
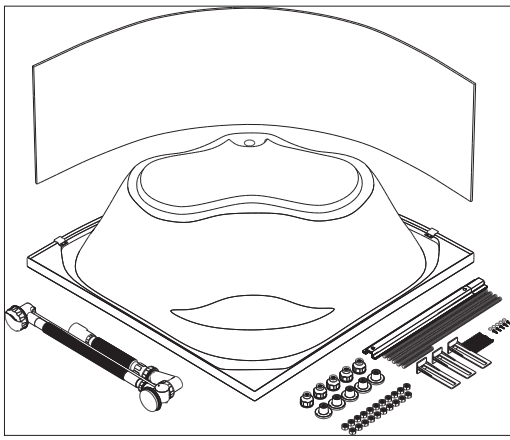


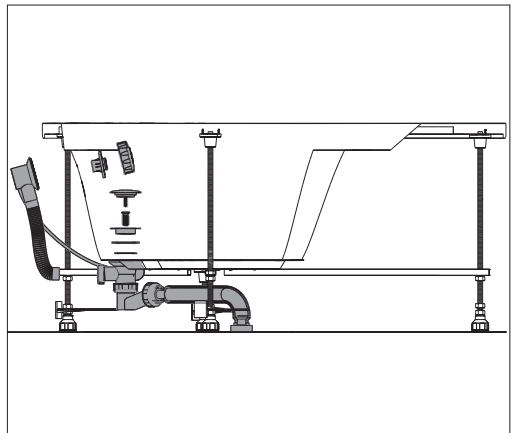
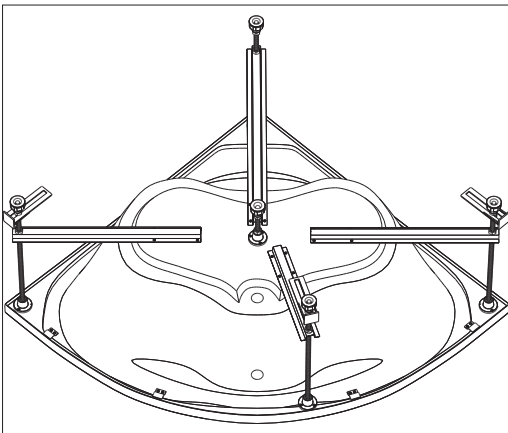
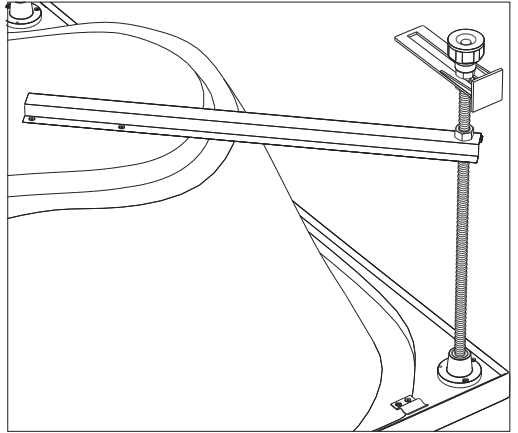
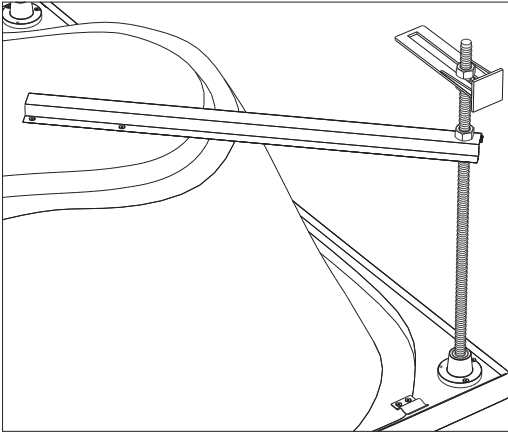
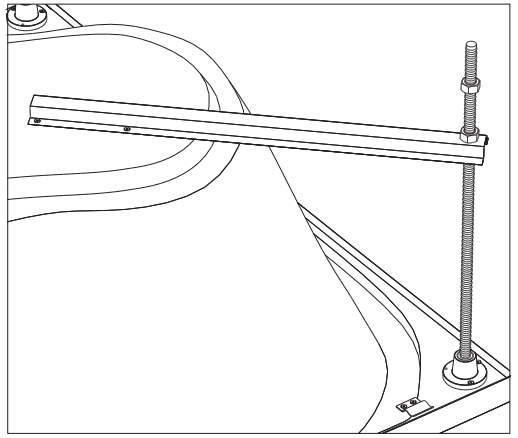
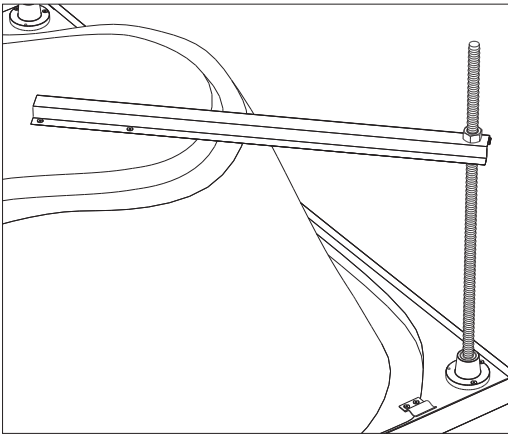
# TOOLS FOR INSTALLATION



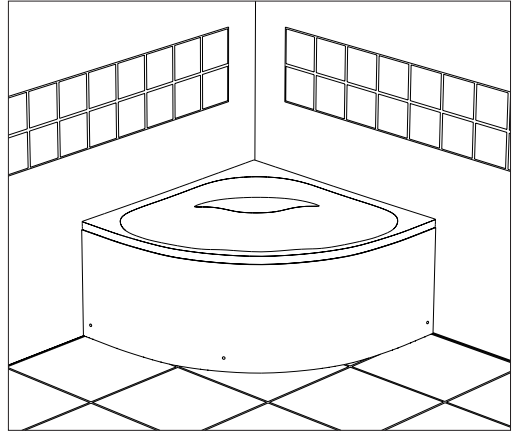
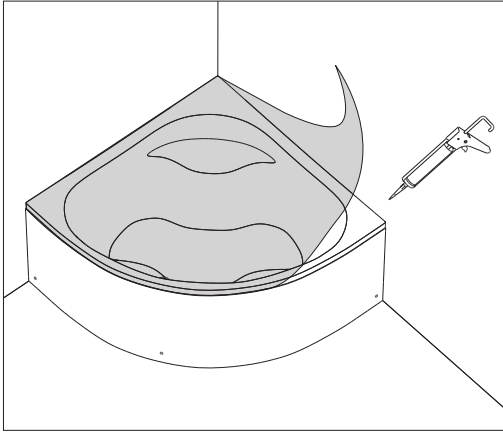
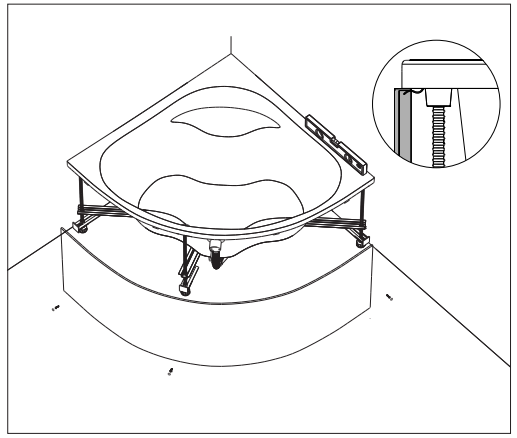
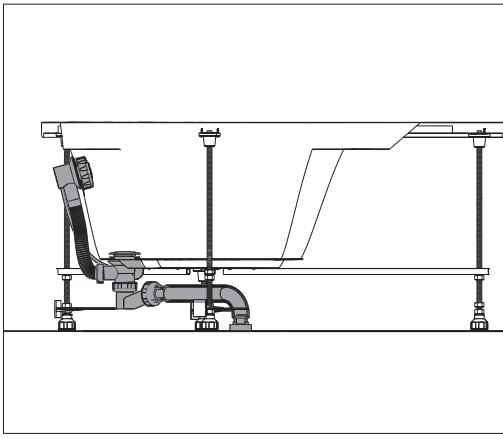
# REQUIRED MATERIALS FOR INSTALLATION











# **USER MANUAL AND MAINTENANCE INSTRUCTIONS**

The drying time of the silicones is 24 hours after the shower trays and bathtubs are installed. Products are should not be used during this time.

The products are should not be contacted with strong chemicals and hard scratch cleaning sponge.

After use, clean the products with warm water using a liquid bath cleaner and a soft cloth. This prevents the formation od lime.

Protect from hot objects and cigarette fire.

If the construction works are to be continued in the bathroom after installation, the thin protective transparent film should not be removed, which is covered on the product.

If the surface of the products appears matte or scratched, you may not have removed the thin protective transparent film or use appropriate cleaning materials.

If the drain of the products are frequently clogged, the hair or soap residue may have occluded the siphon over time. Siphon drain can be cleaned with the sink opener.

If there is water leakage under the products, check the application of silicone between the product and the wall.